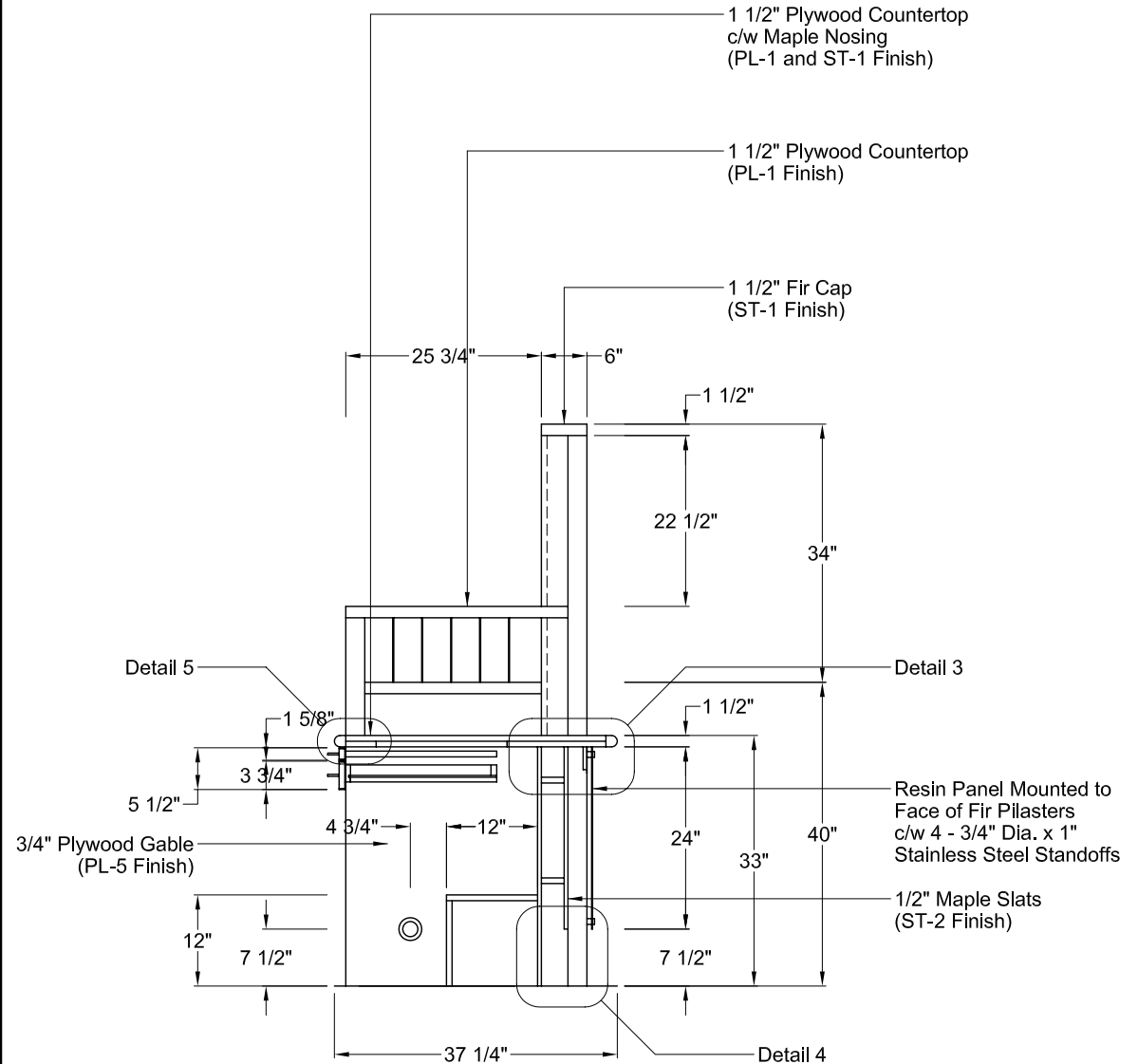


A Section A
Scale As Shown



B Section B
Scale As Shown