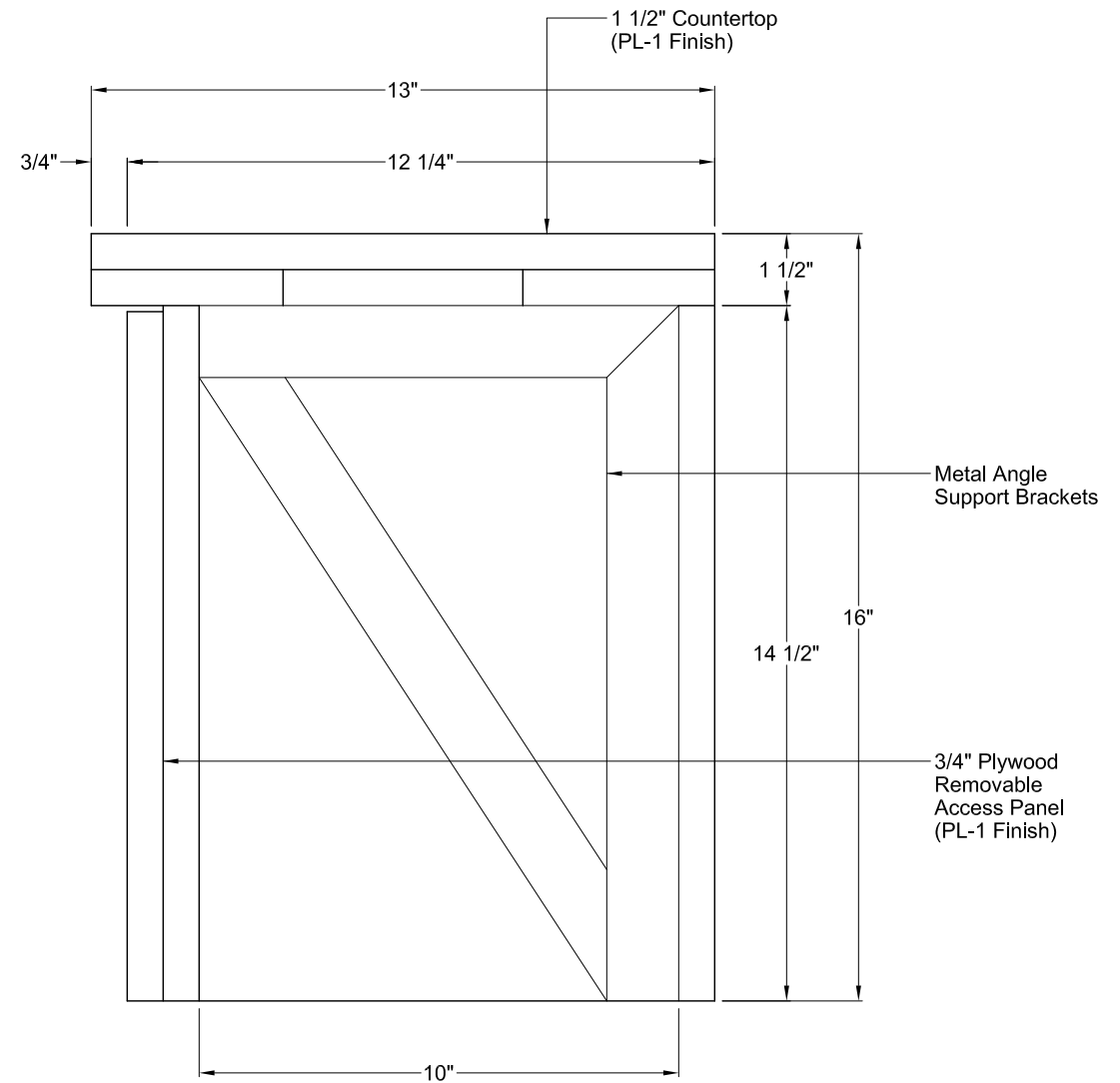


3 Detail 3
Scale As Shown



4 Detail 4
Scale As Shown