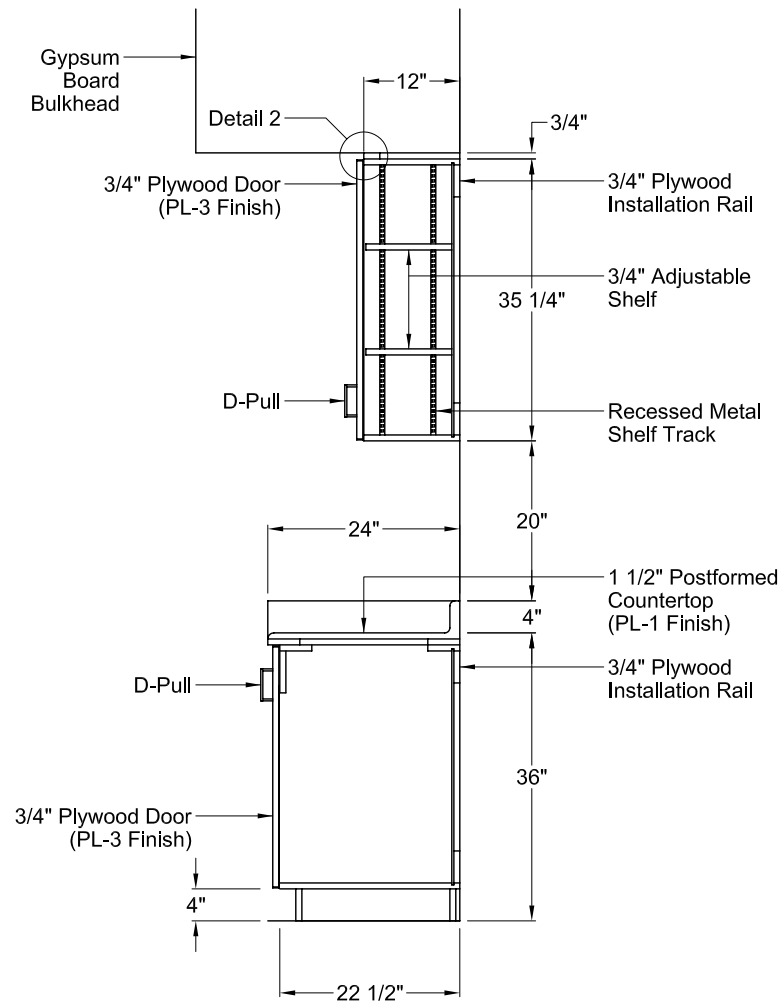
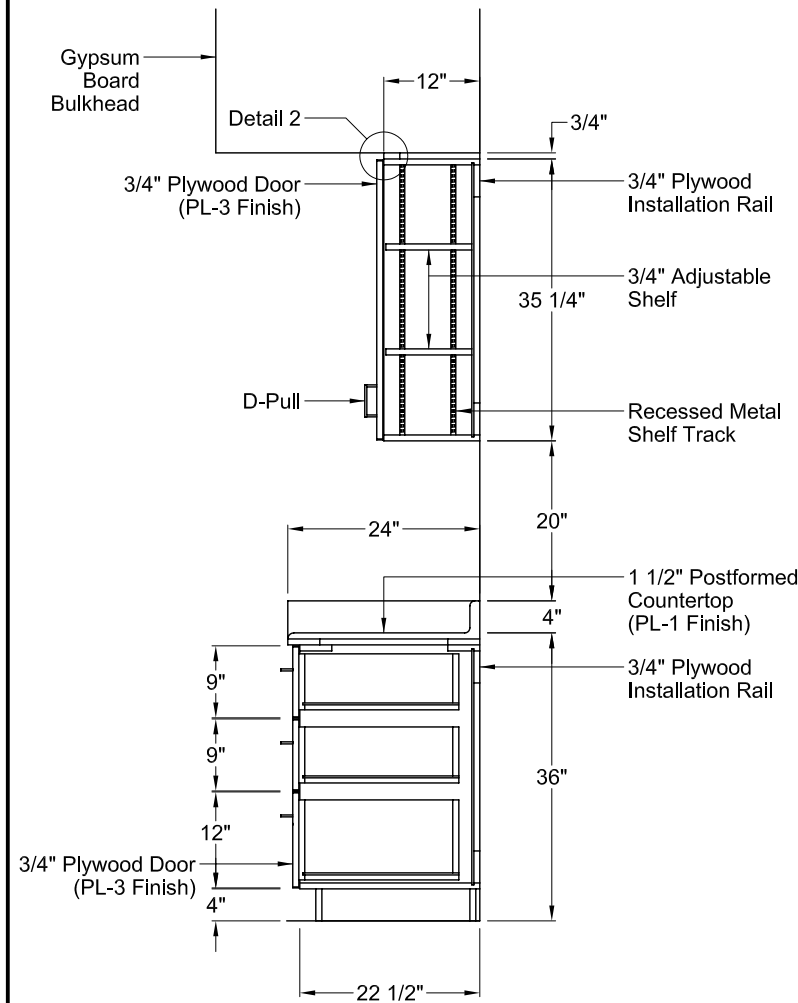


**A** Section A  
Scale As Shown



**B** Section B  
Scale As Shown



**C** Section C  
Scale As Shown

**pascoli**  
designs ltd.

ARCHITECTURAL WOODWORK DRAFTING & DESIGN  
Phone: (250) 884-7800 Fax: (250) 381-5085  
Web Site: www.3telus.net/pascalidesigns

---

**Progressive Millwork & Design**

Customer: 103 2450 14 Ave. Vernon BC Canada V1T 8C1  
Phone: (250) 545-0707 Email: info@progressivemillwork.com

---

**VantageOne Credit Union Armstrong BC**

Section A, B and C

---

Project Name: VantageOne Credit Union Armstrong BC  
Date: Jan 22, 2007  
Drawn By: PRP  
Scale: 1/2"=1'  
Page #: 018