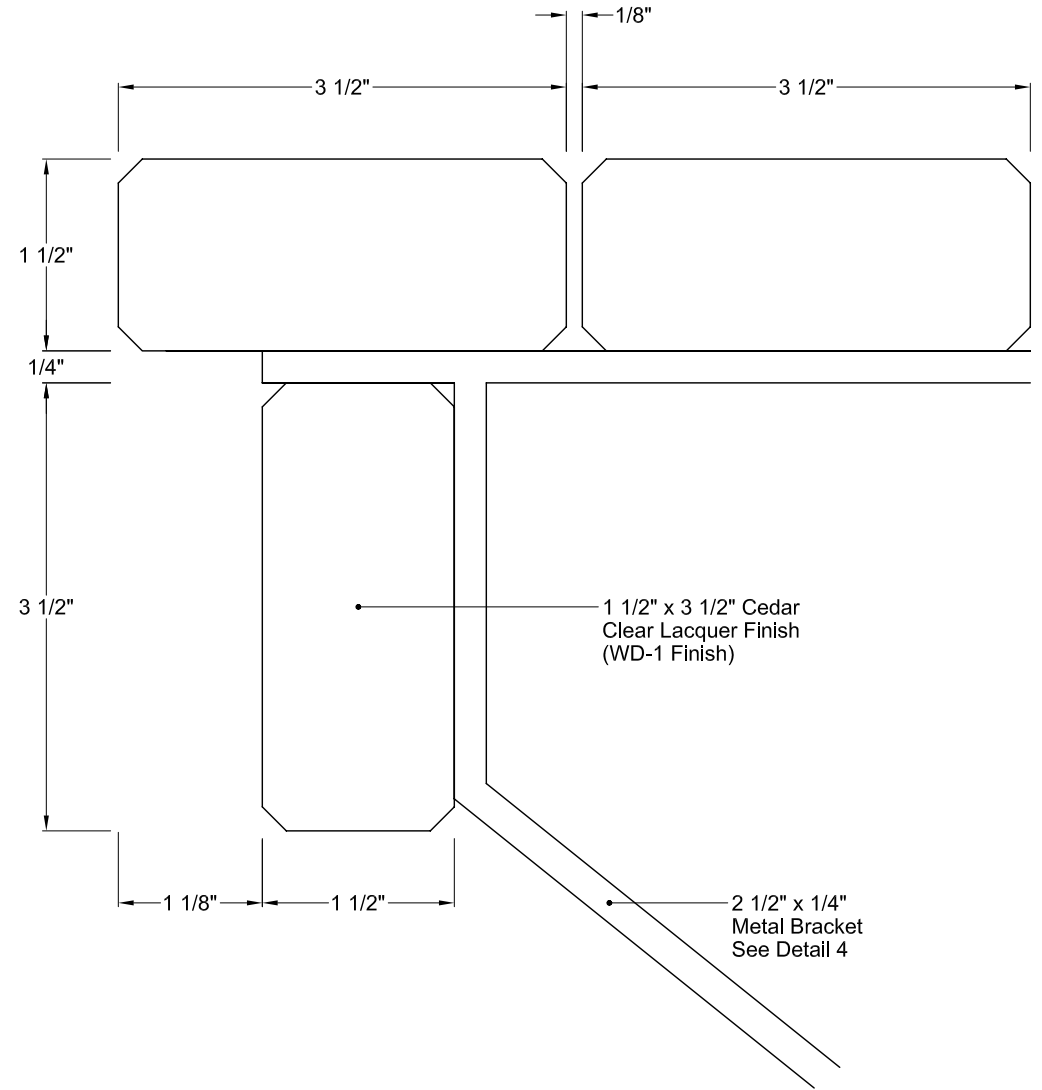


H Section H
Scale 2"=1'



3 Detail 3
Scale 1"=1 1/2"